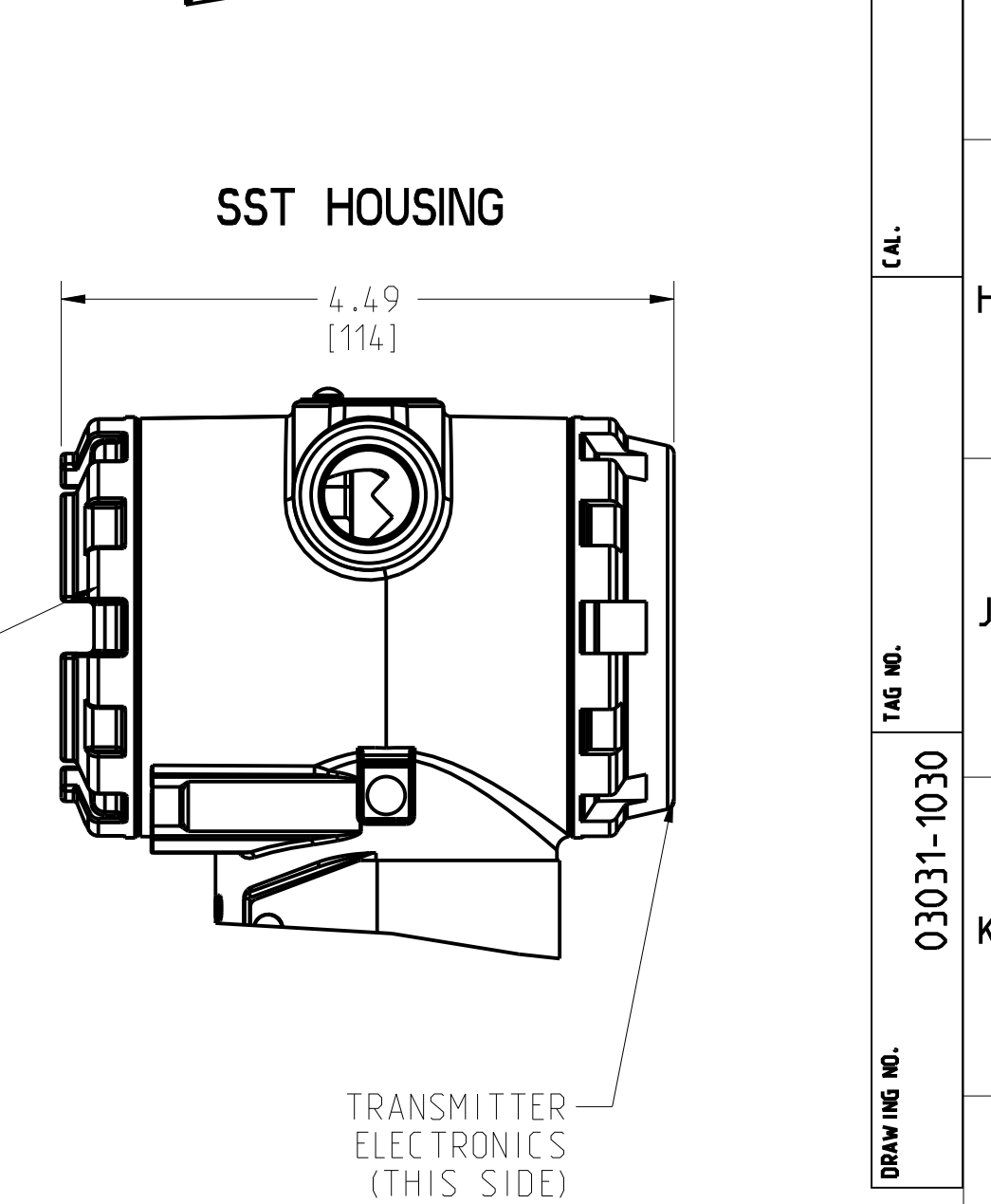
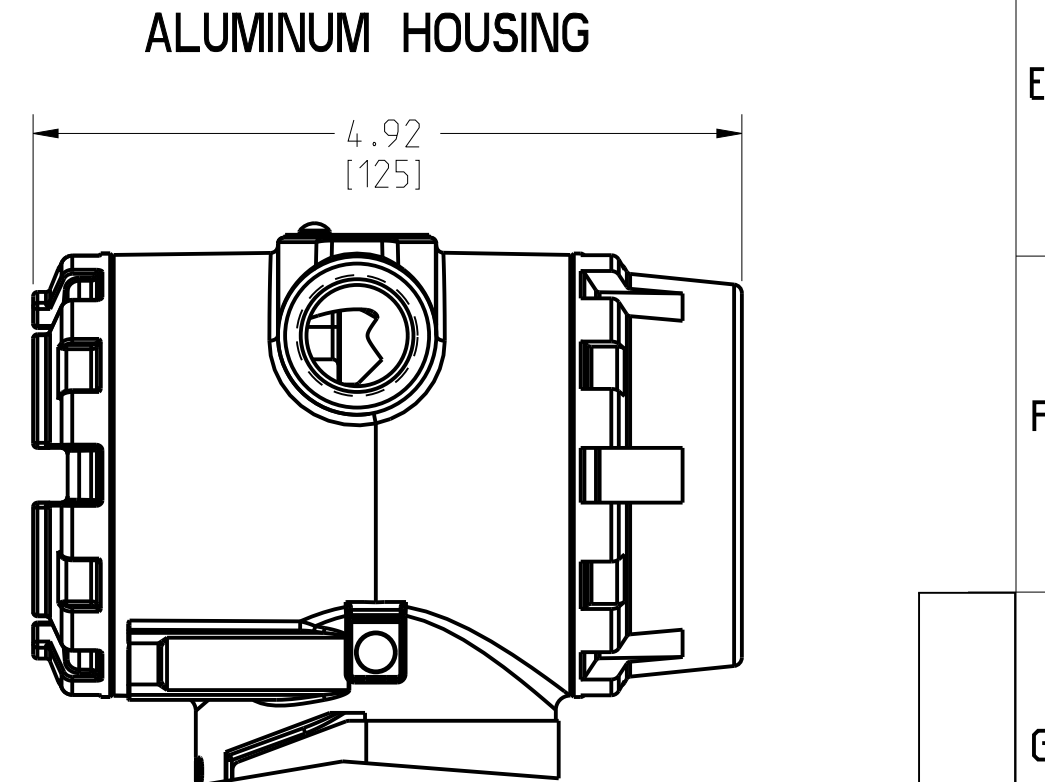
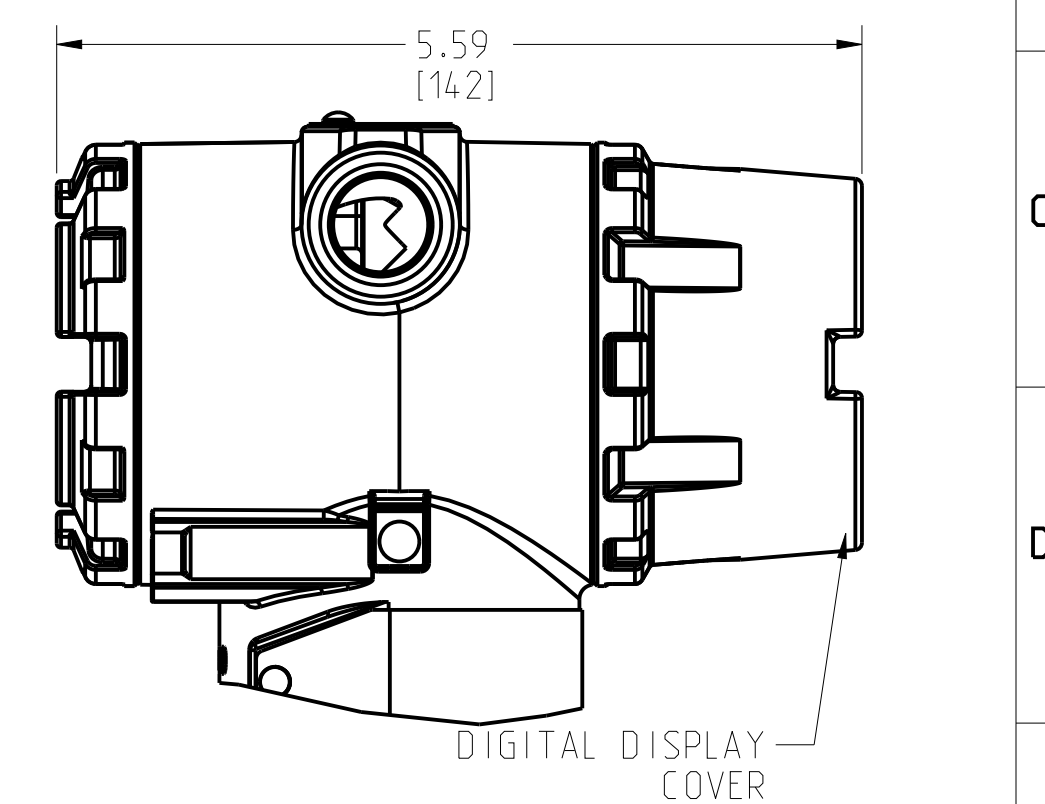


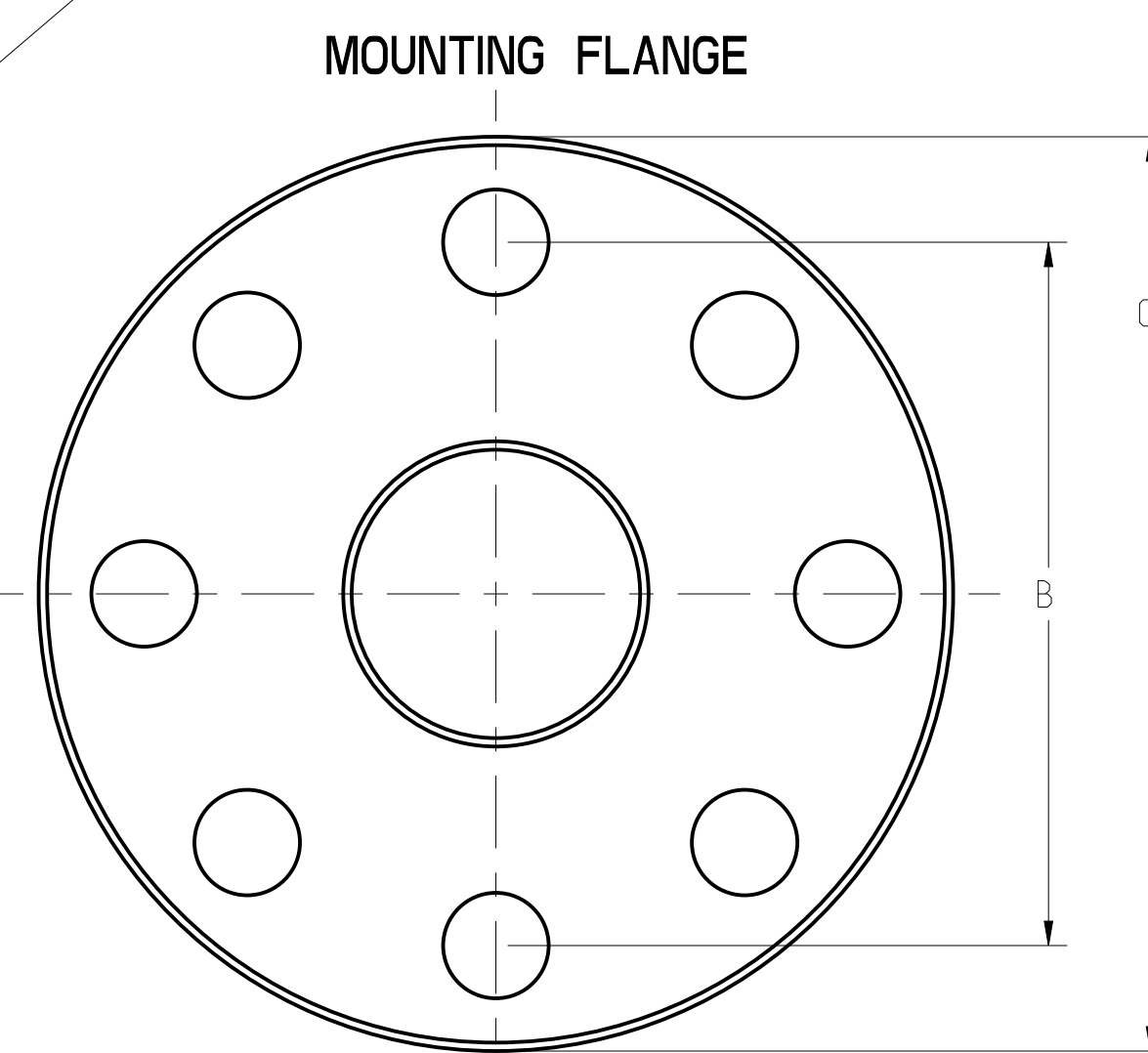
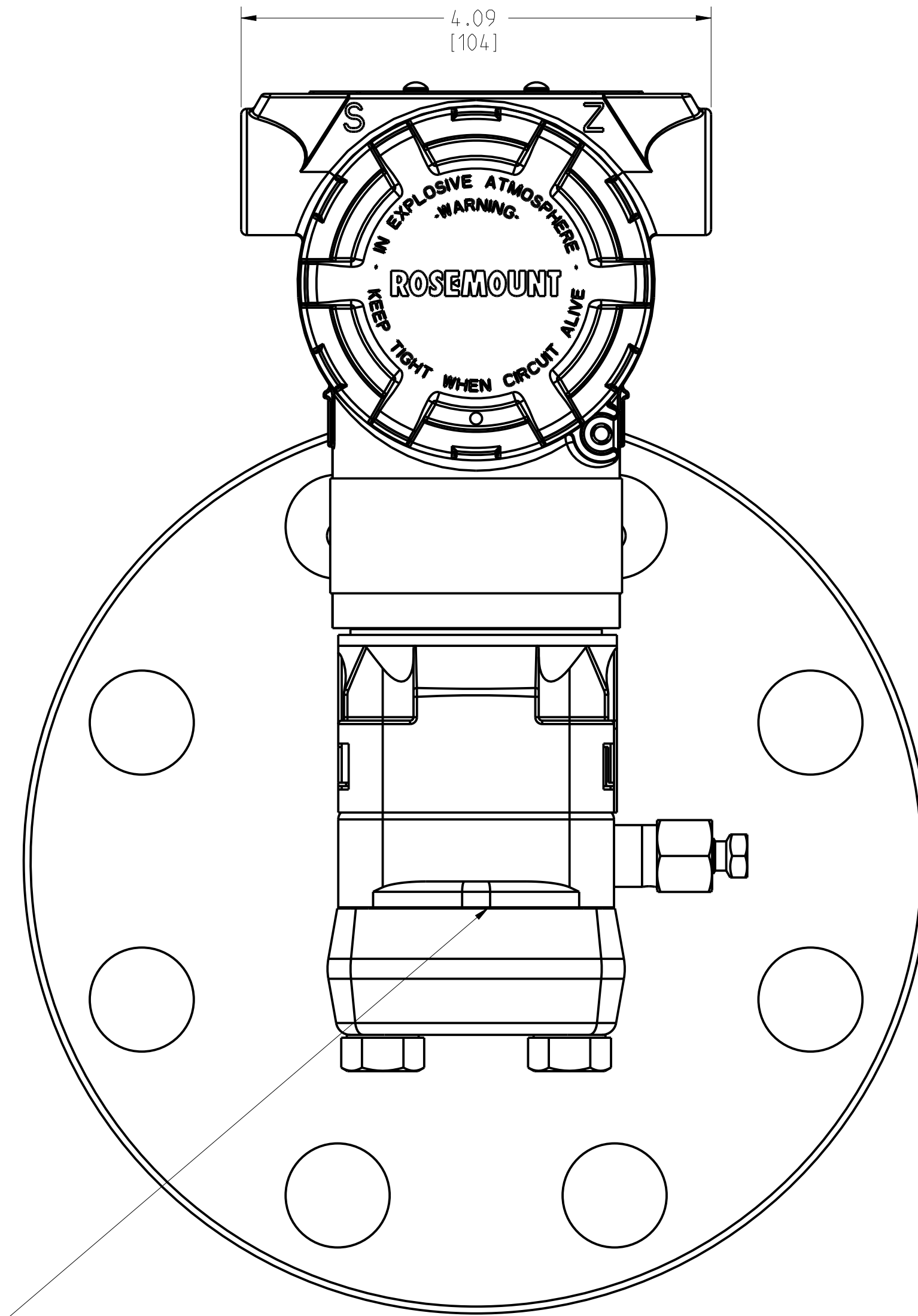
ROSEMOUNT 3051L LIQUID LEVEL PRESSURE TRANSMITTER COPLANAR FLANGE PROCESS CONNECTION

REVISION TABLE			
REVISION	ECO NO.	APP'D	DATE
AC	RTC1056240	FL	2/25/13
DESCRIPTION			
UPDATE TO PRO-E			

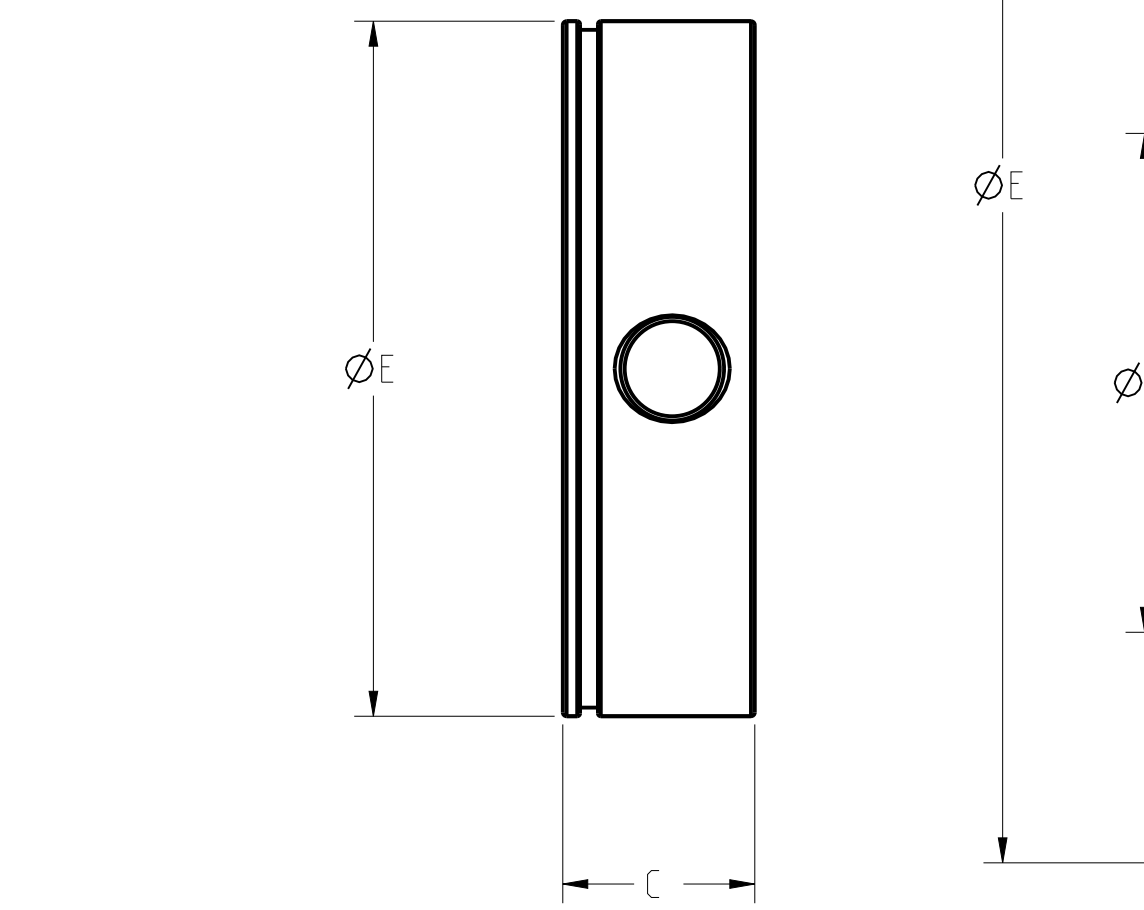
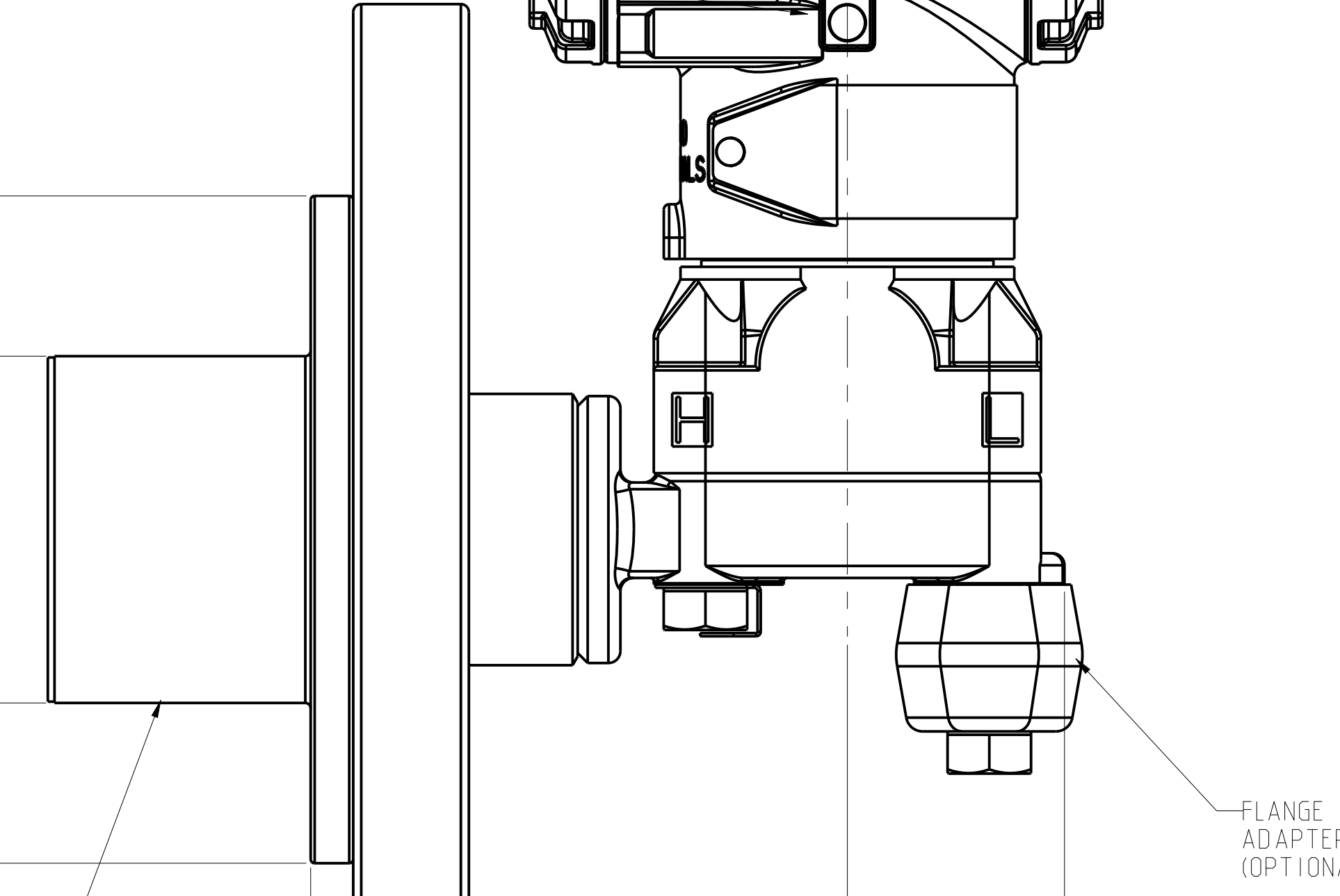
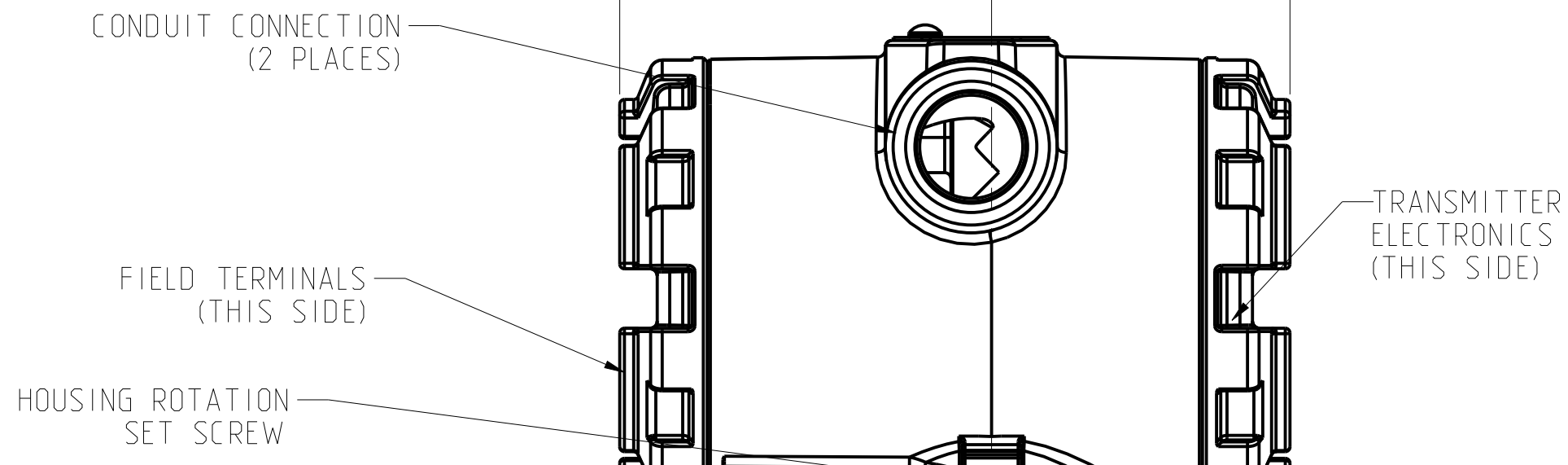
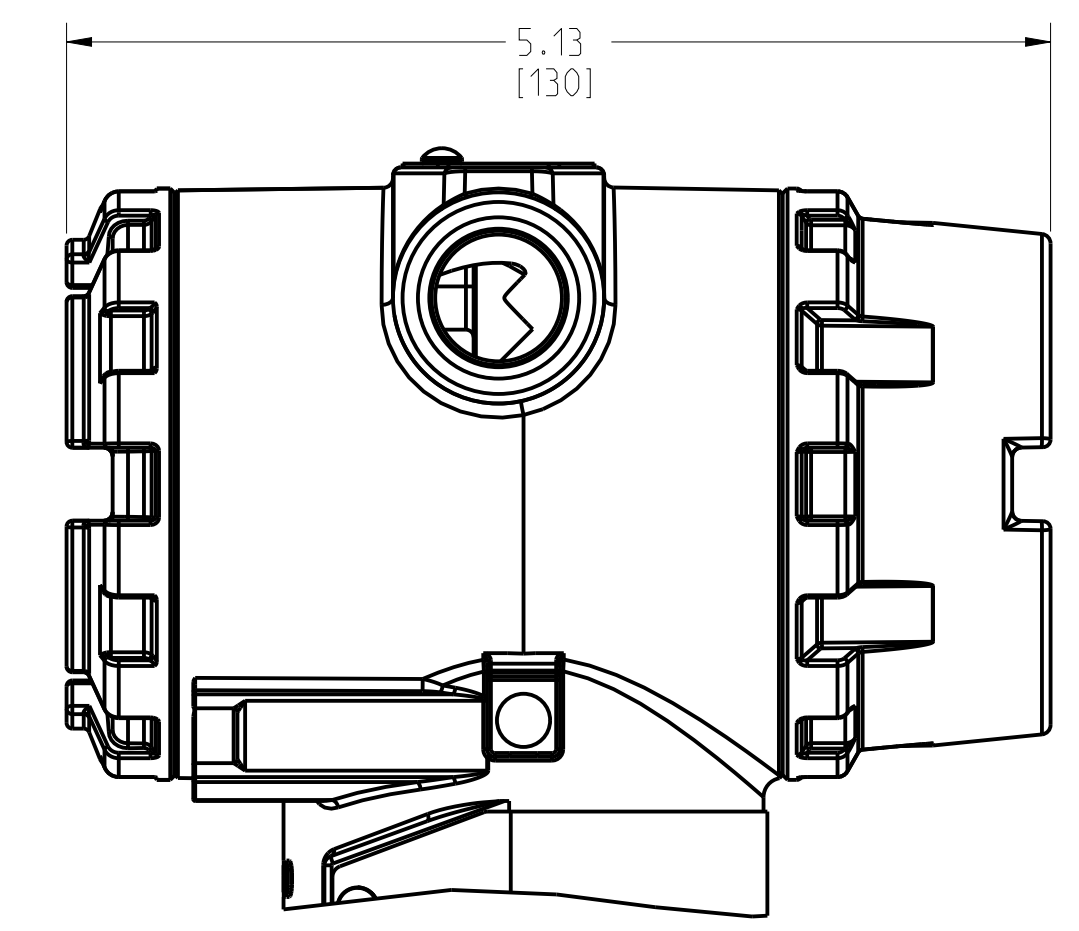
OUTPUT CODE (F) AND (W)
ALUMINUM/SST HOUSING
SHOWN WITH OPTIONAL DIGITAL DISPLAY



OUTPUT CODE (A) AND (M)
ALUMINUM/SST HOUSING



SHOWN WITH OPTIONAL DIGITAL DISPLAY



2.4. or 6" EXTENSION
(ONLY AVAILABLE WITH 3 AND 4", DN80, DN100 FLANGE CONFIGURATIONS)

SEE TABLES ON PAGE 3 FOR DIMENSIONS

1/4-18 NPT PROCESS CONNECTION OR
1/2-18 NPT PROCESS CONNECTION w/ OPTIONAL FLANGE ADAPTERS
(DIFFERENTIAL CONFIGURATION ONLY)

NOTES:

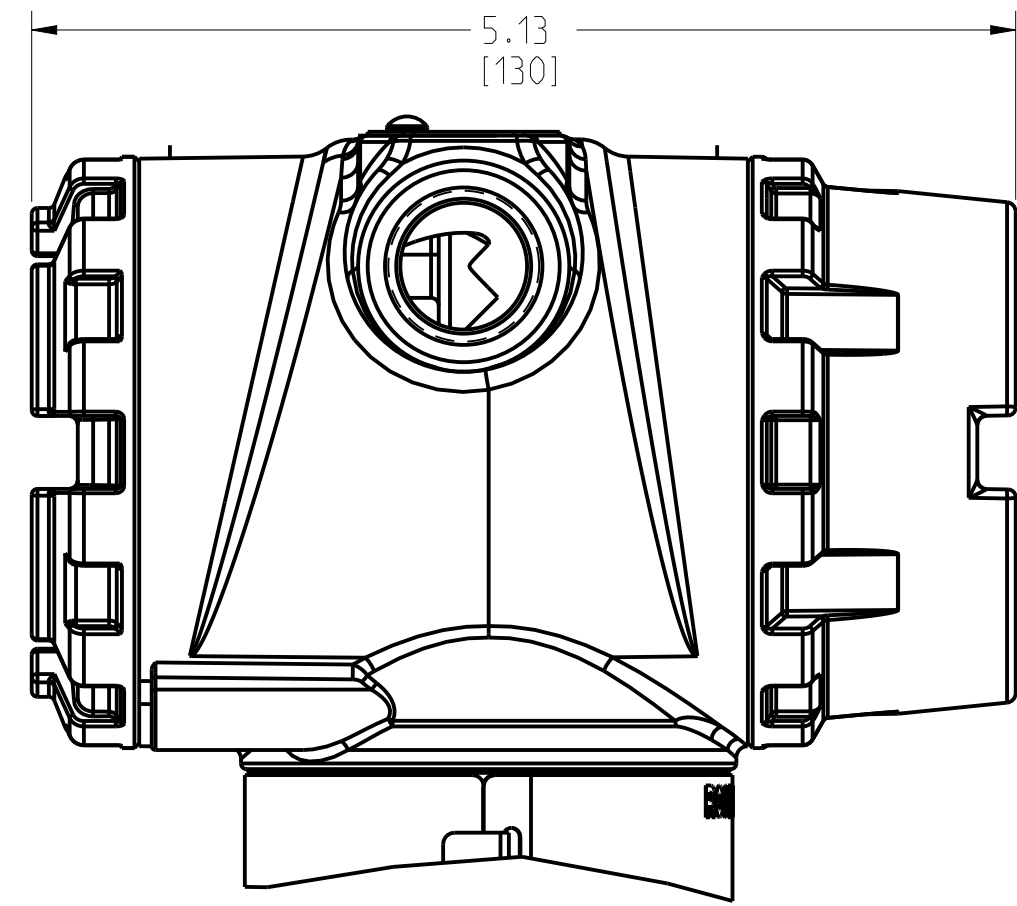
- ROSEMOUNT INC. CERTIFIES THIS DRAWING IN ACCORDANCE WITH ROSEMOUNT ENGINEERING SPECIFICATIONS AND ACCURATELY REPRESENTS THE EQUIPMENT FURNISHED.
- .75 (19) IS REQUIRED TO REMOVE COVERS (EACH SIDE)

UNLESS OTHERWISE SPECIFIED CONNECTIONS AND DIMENSIONS INFORMATION IS CONTAINED HEREIN AND MUST BE HANDLED ACCORDING TO EMERSON	CUSTOMER	3RD ANGLE	SIZE	SCALE	REV
	CUSTOMER DWG NO.		D	1/2	AC
	P.O. No.				
	S.O. No.				
PROJECT NAME	DR. JLA 2/22/13	DRAWING NO.	03031-1030		
APP'D FL 2/25/13			03031-1030		
DO NOT SCALE PRINT CAD MAINTAINED. (PRO/E) PRODUCT CODE			DOC TYPE D SHEET 1 OF 4		

TAG NO. 03031-1030
DRAWING NO.

ROSEMOUNT 3051L REV 5 LIQUID LEVEL PRESSURE TRANSMITTER
COPLANAR FLANGE PROCESS CONNECTION

SHOWN WITH OPTIONAL DIGITAL DISPLAY



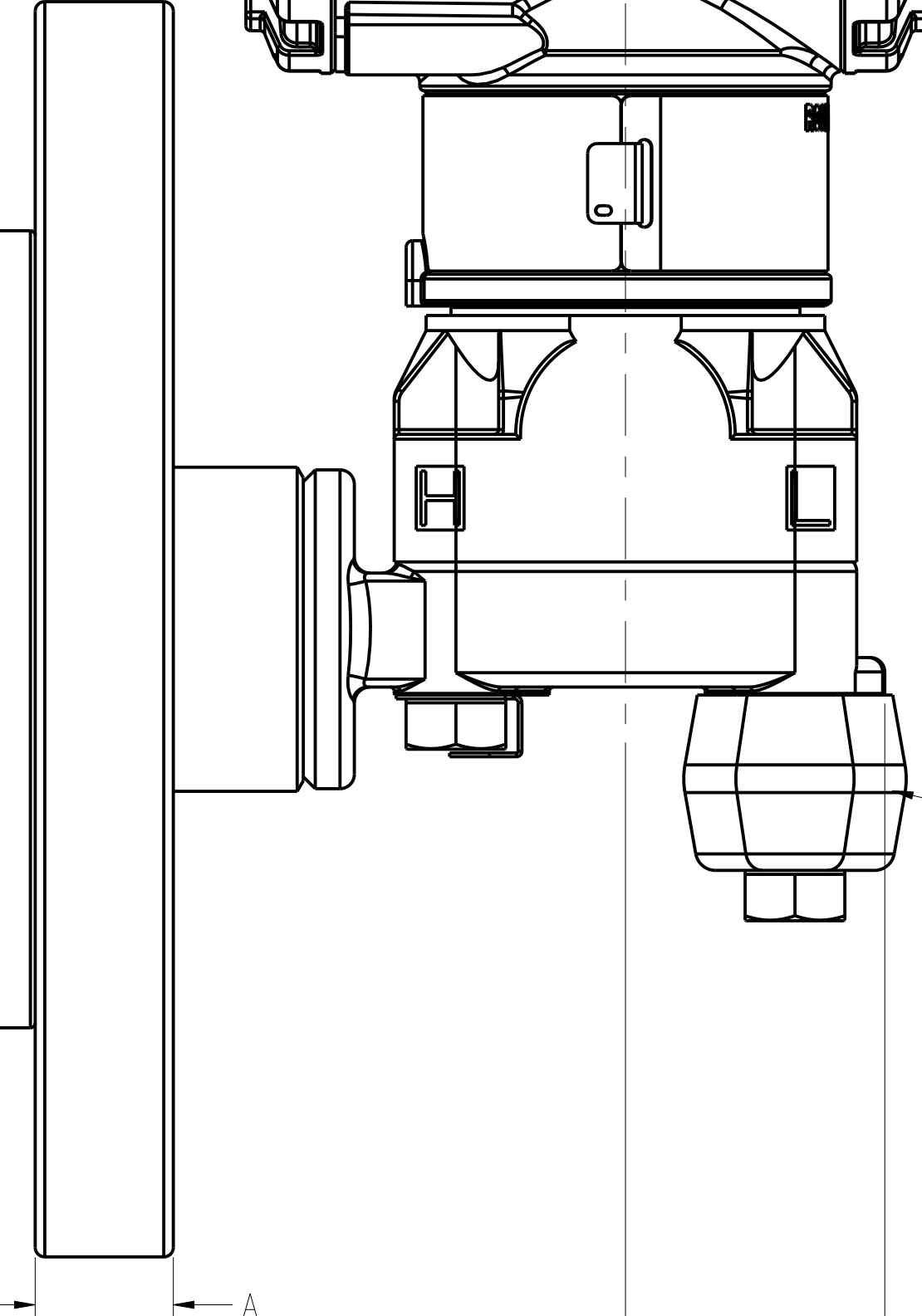
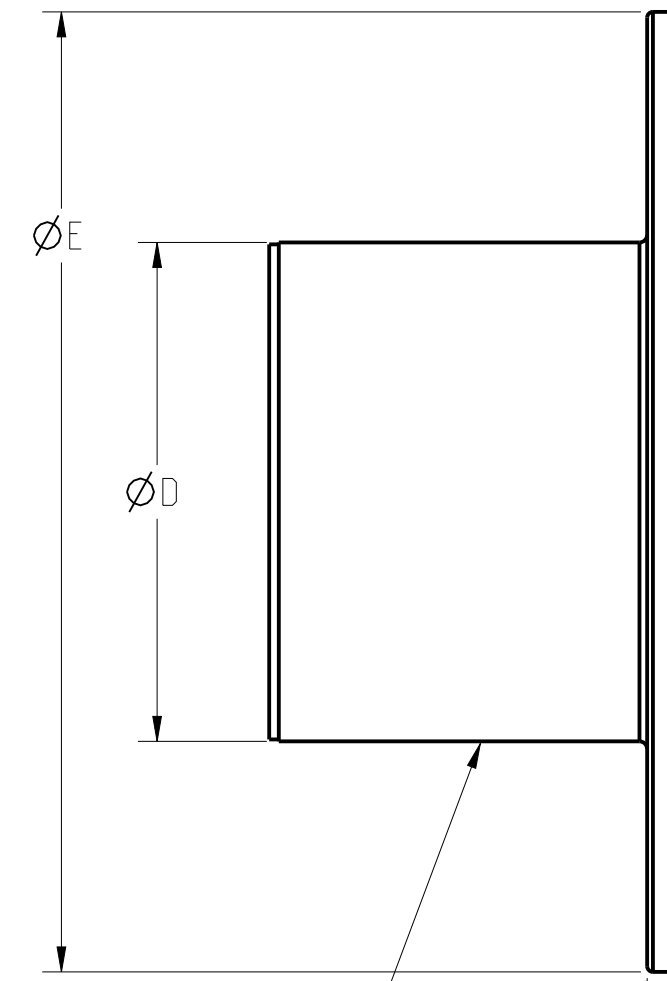
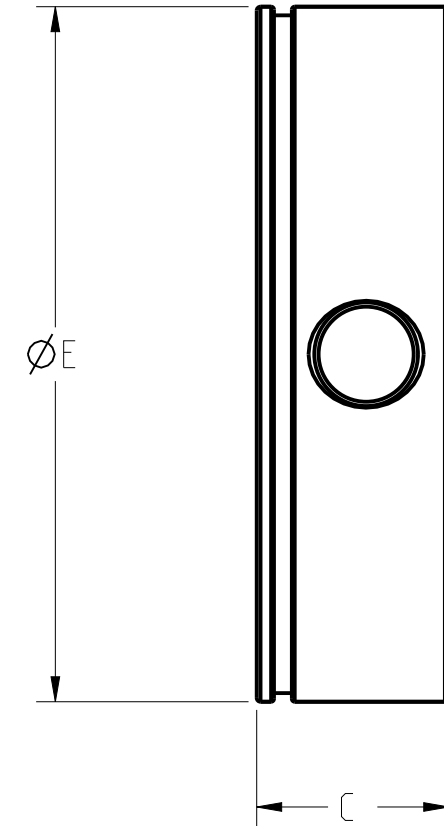
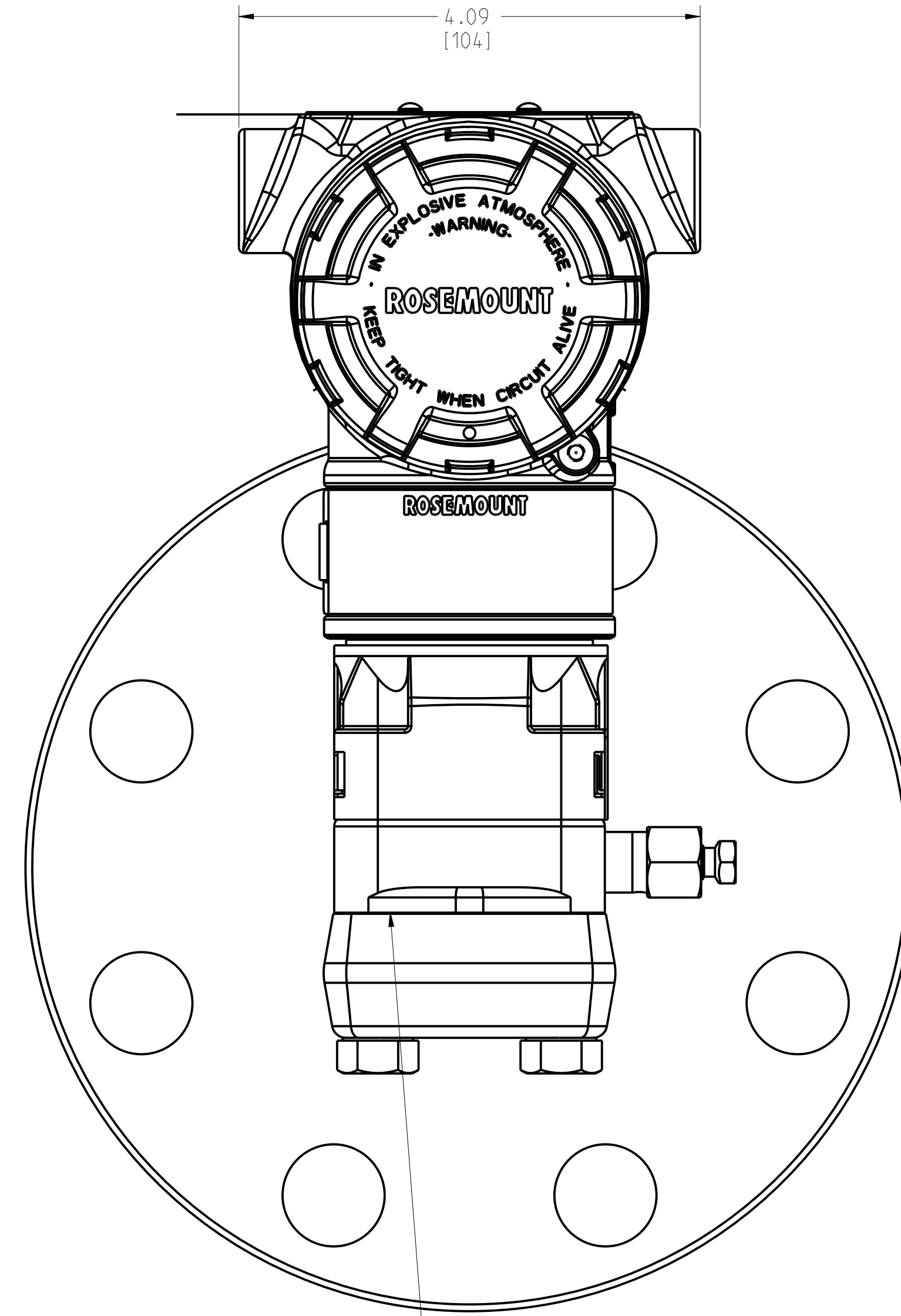
OUTPUT CODE (A) AND (M)
ALUMINUM/SST HOUSING

CONDUIT CONNECTION
(2 PLACES)

FIELD TERMINALS
(THIS SIDE)

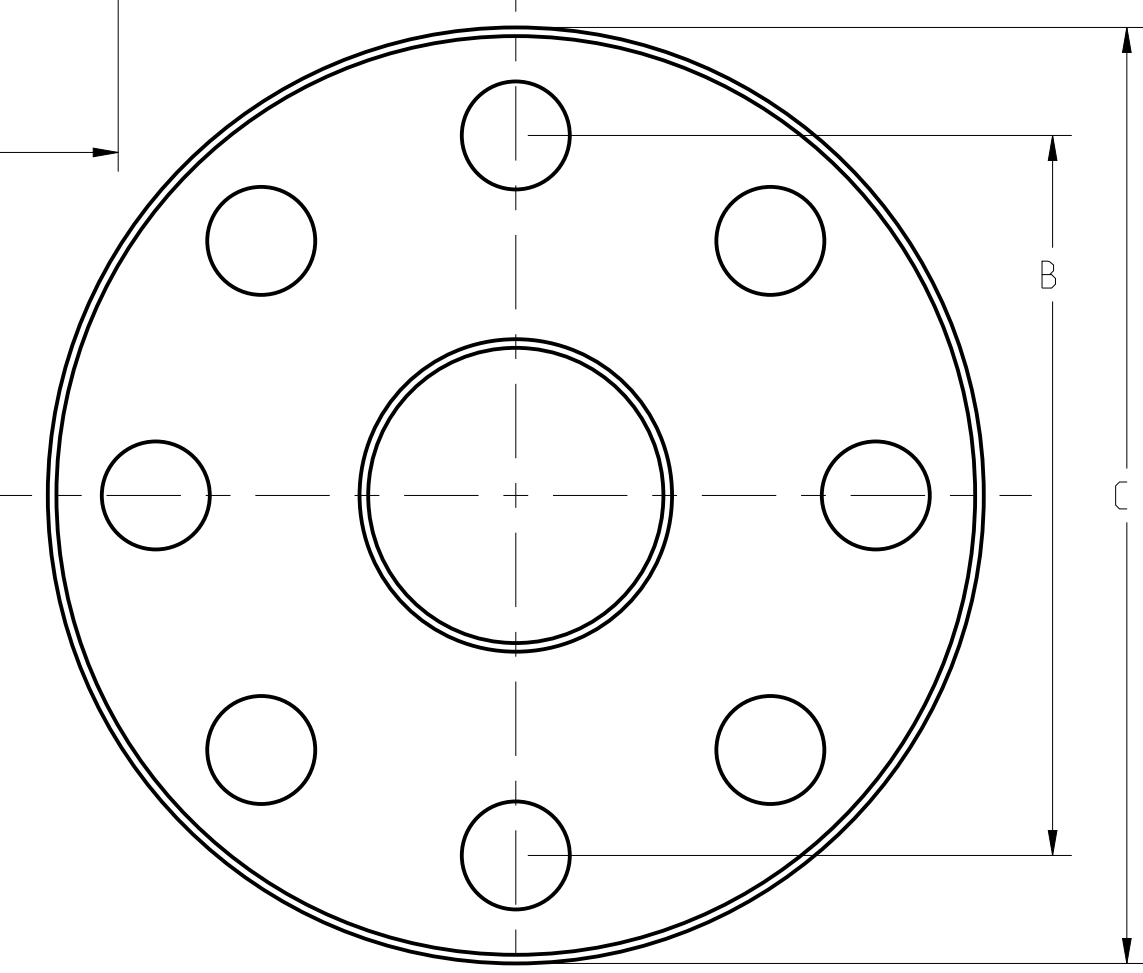
TRANSMITTER
ELECTRONICS
(THIS SIDE)

4.09
[104]



FLANGE
ADAPTER
(OPTIONAL)

MOUNTING FLANGE



2.4, or 6" EXTENSION
(ONLY AVAILABLE WITH 3 AND 4", DN80, DN100 FLANGE
CONFIGURATIONS)

1/4-18 NPT PROCESS CONNECTION OR
1/2-18 NPT PROCESS CONNECTION w/ OPTIONAL FLANGE ADAPTERS
(DIFFERENTIAL CONFIGURATION ONLY)

SEE TABLES ON PAGE 3 FOR DIMENSIONS

<small>UNLESS OTHERWISE SPECIFIED CONNECTIONS AND PRESSURE RATING INFORMATION IS CONTAINED HEREIN AND MUST BE HANDLED ACCORDINGLY. EMERSON</small>	CUSTOMER	3RD ANGLE	SIZE	SCALE	REV
	CUSTOMER DWG NO.		D	1/2	AC
	P.O. No.	EMERSON Process Management ROSEMOUNT®			
	S.O. No.	TITLE 3051L LIQUID LEVEL PRESSURE TRANSMITTER			
PROJECT NAME	DR. JLA 2/22/13	DRAWING NO.		03031-1030	
APP'D FL 2/25/13					
DO NOT SCALE PRINT CAD MAINTAINED. (PRO/E) PRODUCT CODE			DOC TYPE D		SHEET 2 OF 4

TAG NO. 03031-1030
 DRAWING NO.

TABLE 1

CLASS	PIPE SIZE	FLANGE THICKNESS	BOLT CIRCLE DIAMETER B	BOLT CIRCLE DIAMETER C	OUTSIDE DIAMETER C	NO. OF BOLTS	BOLT HOLE DIAMETER	EXTENSION DIAMETER D	O.D. GASKET SURFACE E
ASME B16.5 (ANSI) 150	2 (51)	0.69 (18)	4.75 (121)	6.0 (152)	6.0 (152)	4	0.75 (19)	NA	3.6 (92)
	3 (76)	0.88 (22)	6.0 (152)	7.5 (191)	7.5 (191)	4	0.75 (19)	2.58 (66)	5.0 (127)
	4 (102)	0.88 (22)	7.5 (191)	9.0 (229)	9.0 (229)	8	0.75 (19)	3.5 (89)	6.2 (158)
ASME B16.5 (ANSI) 300	2 (51)	0.82 (21)	5.0 (127)	6.5 (165)	6.5 (165)	8	0.75 (19)	NA	3.6 (92)
	3 (76)	1.06 (27)	6.62 (168)	8.25 (210)	8.25 (210)	8	0.88 (22)	2.58 (66)	5.0 (127)
	4 (102)	1.19 (30)	7.88 (200)	10.0 (254)	10.0 (254)	8	0.88 (22)	3.5 (89)	6.2 (158)
ASME B16.5 (ANSI) 600	2 (51)	1.00 (25)	5.0 (127)	6.5 (165)	6.5 (165)	8	0.75 (19)	NA	3.6 (92)
	3 (76)	1.25 (32)	6.62 (168)	8.25 (210)	8.25 (210)	8	0.88 (22)	2.58 (66)	5.0 (127)
DIN 2501 PN 10-40	DN 50	20 mm	125 mm	165 mm	165 mm	4	18 mm	NA	4.0 (102)
DIN 2501 PN 25/40	DN 80	24 mm	160 mm	200 mm	200 mm	8	18 mm	66 mm	5.4 (138)
	DN 100	24 mm	190 mm	235 mm	235 mm	8	22 mm	89 mm	6.2 (158)
DIN 2501 PN 10/16	DN 100	20 mm	180 mm	220 mm	220 mm	8	18 mm	89 mm	6.2 (158)

TABLE 2

CLASS (1)	PIPE SIZE	PROCESS SIDE F	LOWER HOUSING G 1/4 in. NPT	LOWER HOUSING G 1/2 in. NPT	H
ASME B16.5 (ANSI) 150	2 (51)	2.12 (54)	0.97 (25)	1.31 (33)	5.65 (143)
	3 (76)	3.6 (91)	0.97 (25)	1.31 (33)	5.65 (143)
	4 (102)	3.6 (91)	0.97 (25)	1.31 (33)	5.65 (143)
ASME B16.5 (ANSI) 300	2 (51)	2.12 (54)	0.97 (25)	1.31 (33)	5.65 (143)
	3 (76)	3.6 (91)	0.97 (25)	1.31 (33)	5.65 (143)
	4 (102)	3.6 (91)	0.97 (25)	1.31 (33)	5.65 (143)
ASME B16.5 (ANSI) 600	2 (51)	2.12 (54)	0.97 (25)	1.31 (33)	7.65 (194)
	3 (76)	3.6 (91)	0.97 (25)	1.31 (33)	7.65 (194)
DIN 2501 PN 10-40	DN 50	2.4 (61)	0.97 (25)	1.31 (33)	5.65 (143)
DIN 2501 PN 25-40	DN 80	3.6 (91)	0.97 (25)	1.31 (33)	5.65 (143)
	DN 100	3.6 (91)	0.97 (25)	1.31 (33)	5.65 (143)
DIN 2501 PN 10/16	DN 100	3.6 (91)	0.97 (25)	1.31 (33)	5.65 (143)

UNLESS OTHERWISE SPECIFIED CONVERSIONS AND DIMENSIONS INFORMATION IS CONTAINED HEREIN AND MUST BE HANDLED ACCORDINGLY. EMERSON INFORMATION WITHIN THIS DOCUMENT IS UNCLASSIFIED UNLESS INDICATED OTHERWISE ENGINEERING USE: REFERENCE TO THIS DOCUMENT IS FOR ENGINEERING INFORMATION	CUSTOMER	3RD ANGLE	SIZE	SCALE	REV
	CUSTOMER DWG NO.	ROSEMOUNT®			
	P.O. No.	TITLE 3051L LIQUID LEVEL PRESSURE TRANSMITTER			
	S.O. No.	PROJECT NAME DR. JLA 2/22/13 DRAWING NO. APP'D FL 2/25/13 03031-1030			
DO NOT SCALE PRINT		CAD MAINTAINED. (PRO/E)	PRODUCT CODE	DOC TYPE D	SHEET 4 OF 4

TAG NO. 03031-1030
 DRAWING NO.